

LW Facing Coat Spray Gun



POWER-SPRAYS

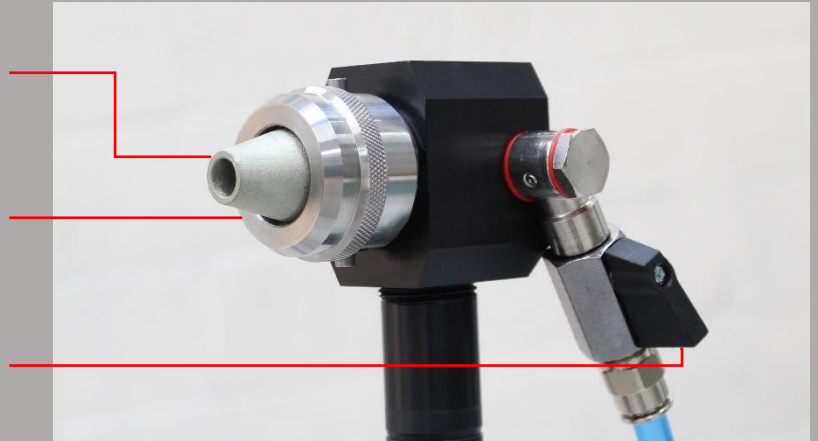
LW Facing Coat Spray Gun

POWER-SPRAYS

9.5mm tapered nozzle for the optimum spray pattern (other sizes available)

Removeable nozzle assembly, for easy cleaning

Spray Air Valve also acts as a remote start/stop switch for the spray station



The Power-Sprays Light Weight Facing Coat Spray Gun is designed for spraying mist coats and pumpable facing coats. These are sprayed directly on to the mould prior to the GRC backing.

The gun is designed to be used with the Power-Sprays range of spray stations – PS38, PS9000 and PS10,000 series.

Alternatively, the LW facing coat spray gun can be used 'on-site' with the PS2000 and PS4000 spray machines to apply a wide range of concrete repair, protective coatings and other specialist cementitious materials.

Specifications

Weight	450g
Dimensions	70mm wide x 150mm high x 100mm deep
Slurry Inlet	Ø 25mm (1") hose tail (slurry hose not included)
Air Consumption	500L/min (17.5CFM) approx. at minimum pressure of 4 Bar (50psi)
Nozzle Sizes	9.5mm tapered nozzle supplied as standard 5mm and 6mm tapered nozzles optional 4mm and 8mm MAM (Minimum Air Mix) nozzles optional

Why Buy from Power-Sprays?

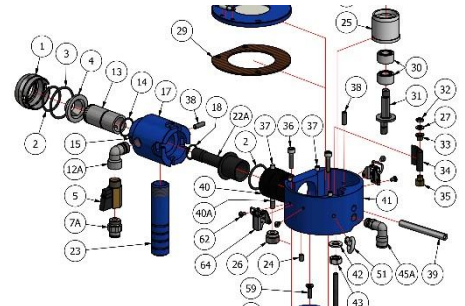
Support



Experience



Comprehensive Technical Manuals



Power-Sprays Ltd

Avonmouth Way, Bristol, BS11 9YA, UK

Tel: +44 (0)117 9820067 Fax: +44 (0)117 9820060

Email: info@power-sprays.co.uk Web: www.power-sprays.com

